

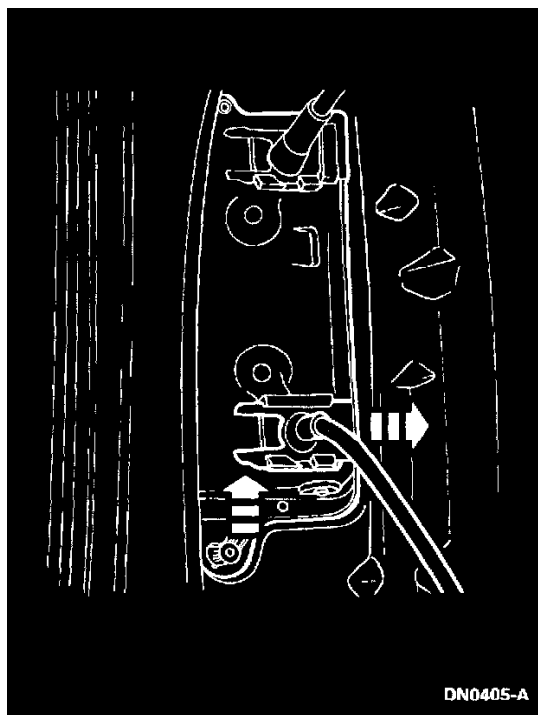
Rear Door Latch: Service and Repair

Double Latch Hinged Door

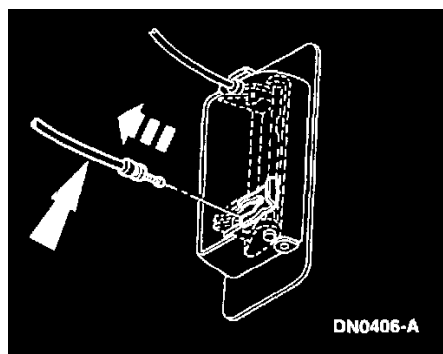
Lower Latch

REMOVAL

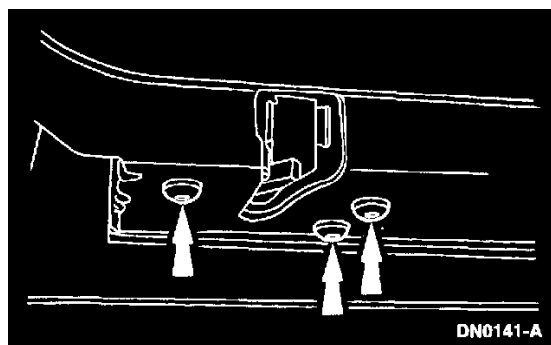
1. Remove the door trim panel and watershield.



2. Disengage the lower cable keeper by pushing the bottom keeper end up and sliding the keeper toward the outside of the door.

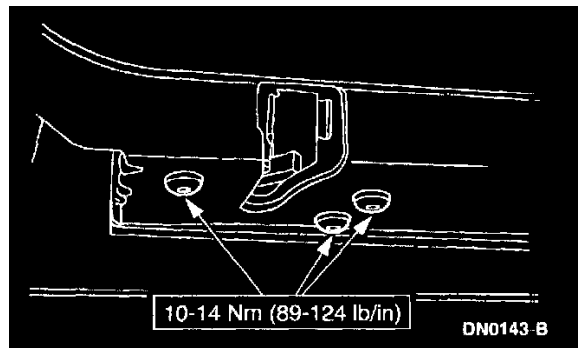
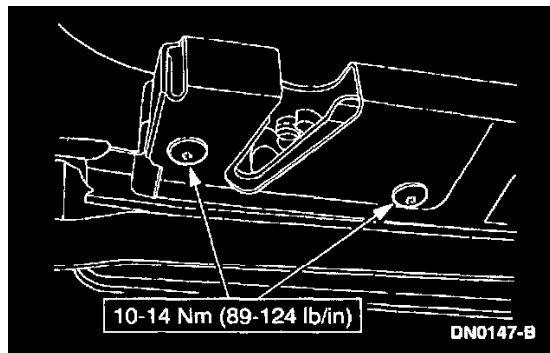


3. Disengage the cable from the door handle.



4. Remove the bolts, and remove the lower latch and cable.

INSTALLATION

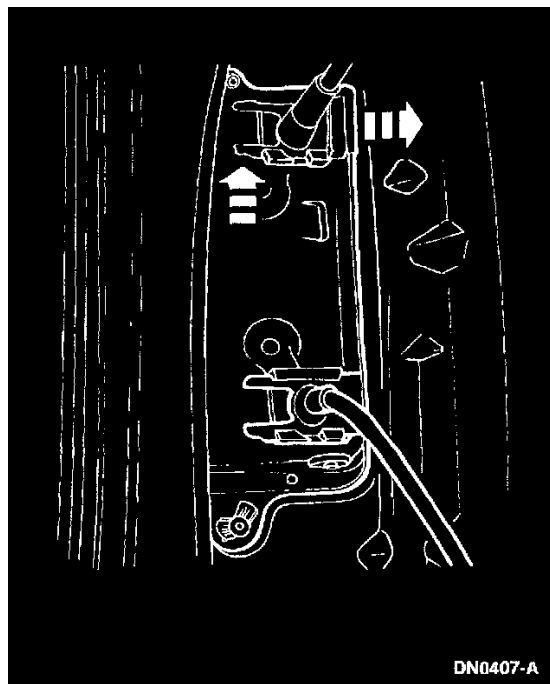


1. Follow the removal procedure in reverse order.

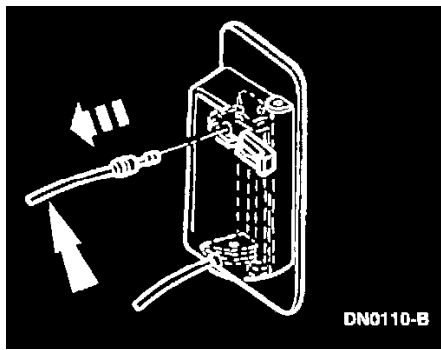
Upper Latch

REMOVAL

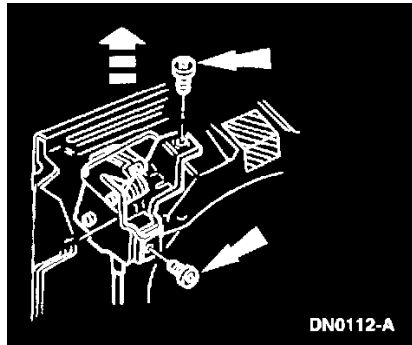
1. Remove the door trim panel and watershield.



2. Disengage the upper cable keeper by pushing the bottom keeper end up and sliding the keeper toward the outside of the door.

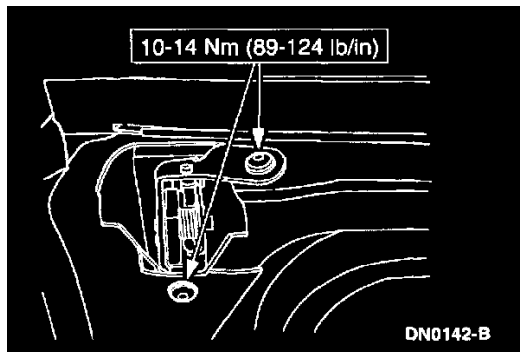


3. Disengage the cable from the door handle.



4. Remove the bolts, and remove the upper latch and cable.

INSTALLATION



1. Follow the removal procedure in reverse order.